

We care for air.

Diesel Particulate Filter with  
Active Diesel Burner Technology

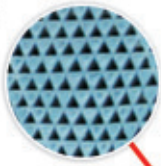


[WWW.HUSSGROUP.COM](http://WWW.HUSSGROUP.COM)

# HUSS MK-SYSTEM DESIGN FEATURES

## LPS-SiC Filter

Designed specifically for Heavy-Duty and Off-Road applications with a long life expectancy



## Modular Design

A, B and C modules



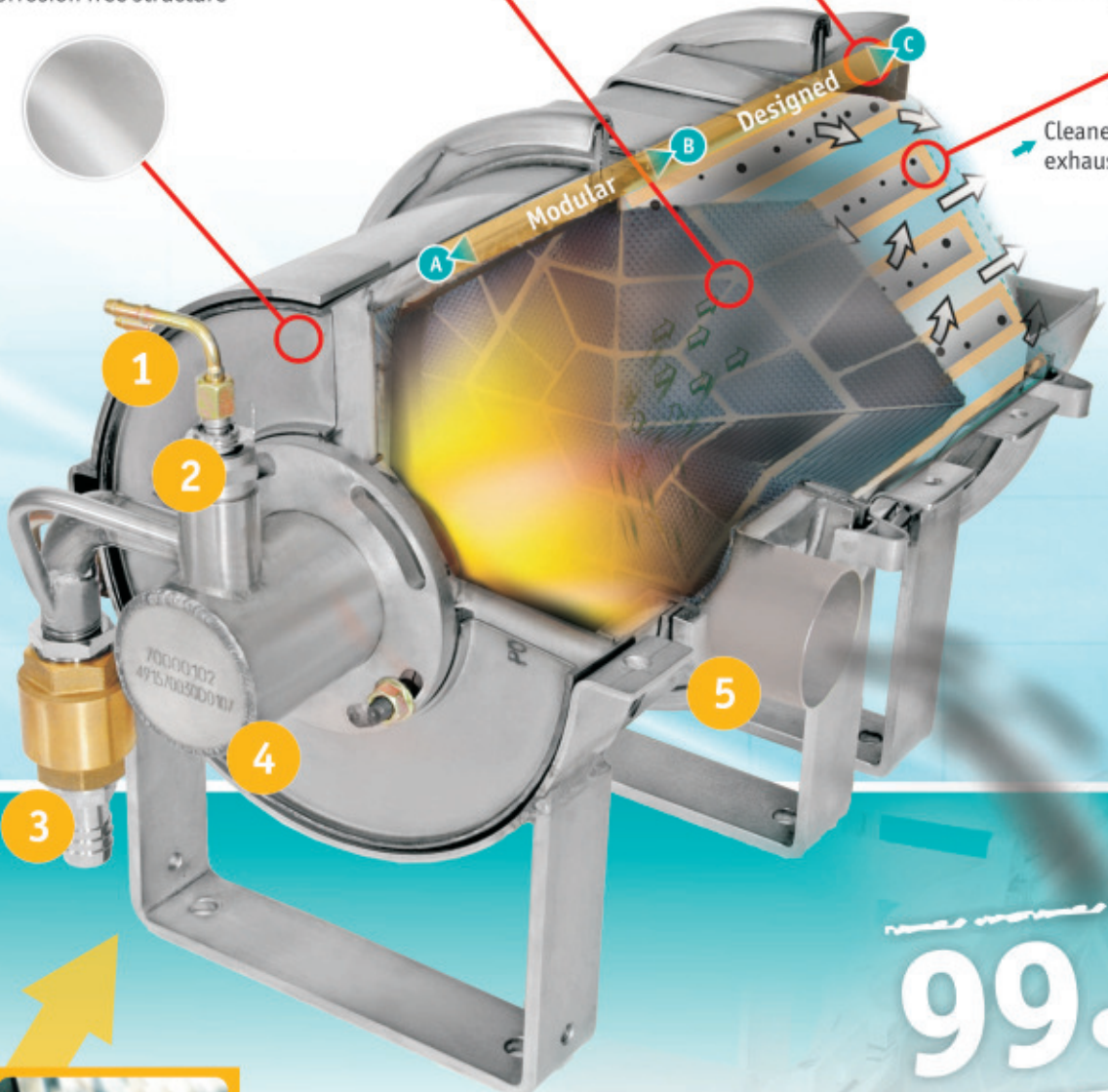
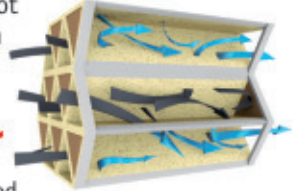
## Stainless Steel Construction

Provides a robust and corrosion free structure



## Wall-flow technology

High performance; 99.9% soot collection



Cleaned exhaust



### Controls and monitors:

- 1 Fuel supply
- 2 Glow plug
- 3 Air supply
- 4 Temperature control
- 5 Exhaust backpressure

99.9%  
SOOT FILTRATION RATE

## HUSS MK-SYSTEM ADVANTAGES

Regeneration is independent of exhaust temperature



Ideal for all diesel engines, especially for applications with low exhaust temperatures or light duty cycles

Independent from external power supply



No connection to the main utility power; no exchanging of filter cartridges

HUSS Control unit supervises the entire process



Visual display with audible alarm

Meets noise regulation requirements



in most cases an additional muffler is not required

Variety of exhaust angles



Easy integration for every mounting configuration

Variety up to 800 hp (600kW)



Most appropriate filter size for each application

Low fuel consumption



Low filter system operating costs

Secondary emissions regulations fulfilled



No secondary emissions related to regeneration



# mk-system

### System Overview

The MK-System is integrated into the exhaust line of the vehicle. The high-tech LPS-SiC ceramic filters 99.9% of the harmful soot particles out of the exhaust gases. The active regeneration is executed by a powerful diesel burner, which works independently from the exhaust gas temperature. Depending on the filter size the regeneration takes between 5 and 45 minutes. The entire process is supervised by the HUSS control unit.

# A SOLUTION THAT FITS EVERY APPLICATION

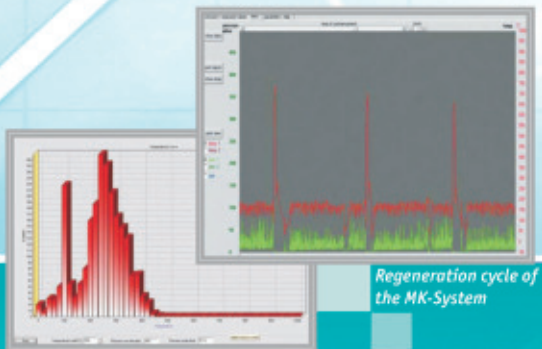
Type of filter	MK35	MK75	MK150	MK200	MK300	MK400	MK600
Engine power in kW (hp) up to	0-35 (45)	-75 (100)	-150 (200)	-200 (270)	-300 (400)	-400 (540)	-600 (800)
PM collection rate	99.9 %						
Secondary emissions	No secondary emissions related to regeneration						
Filter material	Liquid-phased sintered Silicon Carbide (LPS-SiC)						
Exhaust gas temperature	No minimum level required						
Control unit	HUSS Control, DataLogger integrated						
On board voltage	12 V or 24 V						
Installation position	Horizontally or vertically						
Regeneration technique	Diesel burner technology						
Operation hours until regeneration	App. 8-10 operating hours						
Regeneration time	App. 5-45 min. depending on filter size						
Filter casing	Stainless steel						

The table above shows the appropriate filter/engine combinations based on an EPA TIER 3, non-derated, engine. Under these conditions the filter offers a soot loading period between 8-10 hours, before it needs to be regenerated.

For further information:  
[www.hussgroup.com](http://www.hussgroup.com)

## HUSS CONTROL OVERVIEW

The MK-System operates independently from the exhaust temperature and from engine electrical system. The user friendly and dependable HUSS control unit monitors the entire filtration process. 25 years of engineering experience has gone into the design and operation. The popular datalogger is a standard feature of the HUSS Control.



Ideal for low or unsteady exhaust gas temperatures



### Bluetooth Technology

Wireless programming and readout of the control unit



### Smart Integration

Simple integration- only the display is installed near the operator



### Backpressure settings

Backpressure limits are adjustable based upon specific application needs



### Data logger function

Data management software keeps track of the filter system operation



### Safety Concept

Overloading of the filter prevented by security measures



### Stop-and-Start Function

Automatic regeneration start possible



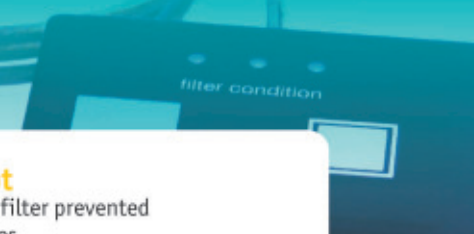
### Multiple X Function

One control device for multiple filter systems

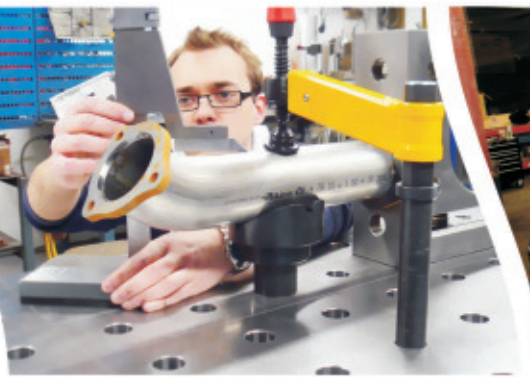


### Language selection

Different languages supported



# HUSS advantages



## QUALITY

- **Experience and Know-how**  
HUSS products are successfully established in the market for more than 20 years
- **99.9% PM reduction**  
99.9% soot collection due to LPS-SiC wall-flow filtering
- **Premium Materials**  
Stainless steel and Silicon Carbide offer long life
- **Certifications**  
VERT, CARB, TRGS 554, exhibit XXVII StVZO and other standards. Quality management according to DIN Iso 9001:2000

## TECHNOLOGY

- **Technology**  
Continuous development leads to innovative products
- **System Solutions**  
Particulate filters up to 800 hp (600 kW) and regeneration strategies for every application
- **Modular Design**  
Fits even in difficult locations
- **HUSS Competence in Ceramic Production**  
In-house production of LPS-SiC ceramic filters, especially developed for Off-road and Heavy-duty applications
- **HUSS Competence in Metalworking**  
In-house production of mufflers and pipings; Canning technology

## SERVICE

- **Engineering**  
Engineering expertise in filter adaptation
- **Field Service**  
Installation, maintenance and service done by our network of trained HUSS dealers
- **Professional Sales Assistance**  
Products and product support directly through our dealer network backed by HUSS
- **International Presence**  
HUSS has corporate locations in North America and Europe with local authorized dealers in your area
- **Training**  
Special training courses on all filter systems by HUSS specialists

Trucks and commercial vehicles

Transit and school buses

Construction machines

Forklifts and cargo handling

Ships and rail

Stationary engines

Special applications

## FIELDS OF EXCELLENCE



# Professionalism at its best

## The entire range of solutions:

HUSS Group represents technical innovation and proven solutions in exhaust after treatment. The focus is on both retrofit and firstfit of heavy-duty and off-road vehicles. Our common goal is to be internationally recognized as a leading company in this field. The HUSS Group production facilities include; CleanDieselCeramics, the producer of the LPS-SiC ceramic filters and Metpela, the producer of the particulate trap casing.

HUSS locations in North America and Europe provide verified retrofit solutions to meet local regulatory requirements. HUSS Technologies is the ideal partner for the development and integration of engine and vehicle solutions for manufacturers.

The scope of our collective effort is embodied in our slogan:

**HUSS – We care for air.**

**WWW.HUSSGROUP.COM**



11/2010



We care for air.



**HUSS, Inc.**  
Retrofit sales and service /North America



**HUSS Umwelttechnik GmbH**  
Retrofit sales and service / Europe and other export markets

**HUSS Technologies GmbH**  
OEM/Firstfit sales and service, system integration



**CleanDieselCeramics GmbH**  
Development and production of LPS-SiC DPFs



**Metpela Oy**  
Development and production of mufflers and exhaust pipes; Canning technology

**1 888 360 HUSS** | 77524 El Duna Court, Suite H, Palm Desert, CA 92211, USA  
Phone: +1 (760) 322 5692